



Wilson **Willow**
FINE BRITISH KITCHENS

Project

Bethel House

2023 Kitchen Renovation

48 Heronsgate Rd,
Chorleywood,
WD3 5BB





Wilson **Willow**
FINE BRITISH KITCHENS





Wilson Willow
FINE BRITISH KITCHENS



Wilson Willow
FINE BRITISH KITCHENS





Wilson Willow
FINE BRITISH KITCHENS



Wilson Willow
FINE BRITISH KITCHENS



Shaker Raised 70mm



Stainless Steel
Traditional Hinges



Polished Chrome
USB Double Socket



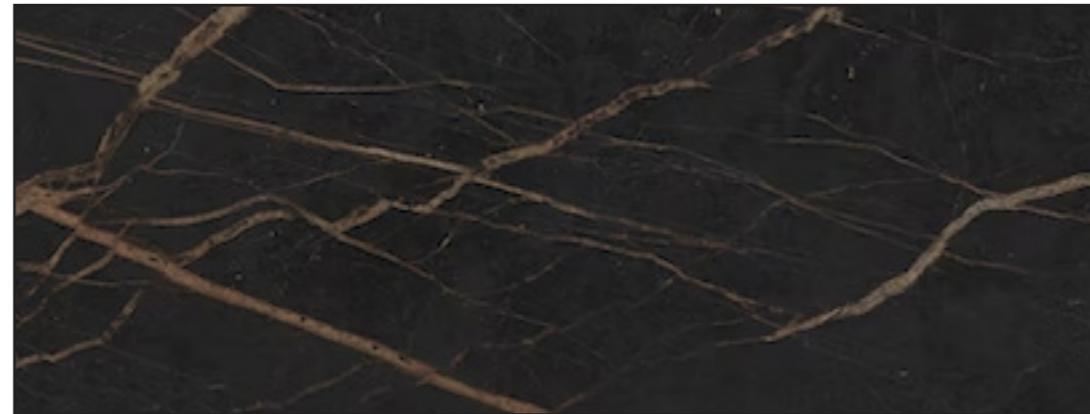
Ceramic Polished
Straight Handle



Bertazzoni PROF486GDFSNET



F&B Skimming Stone
Estate Emulsion



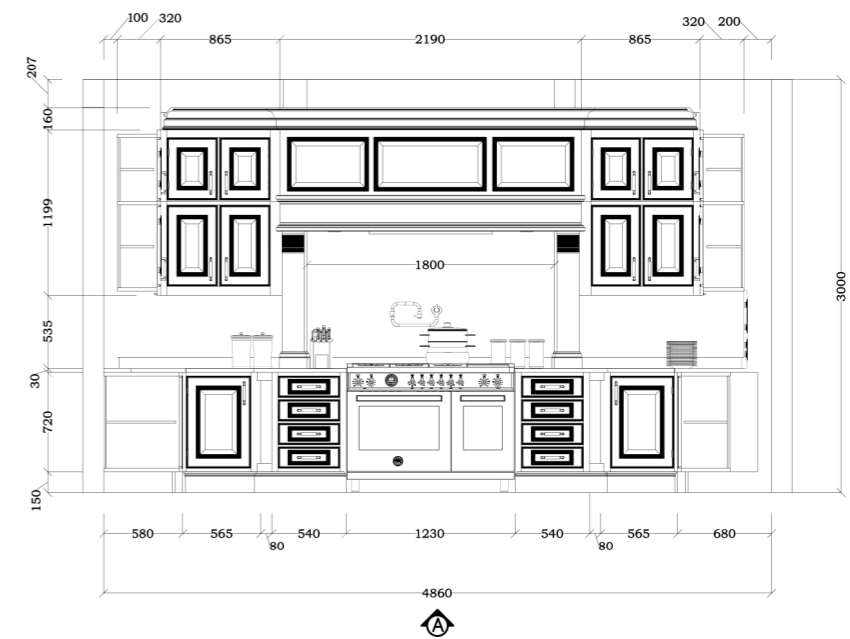
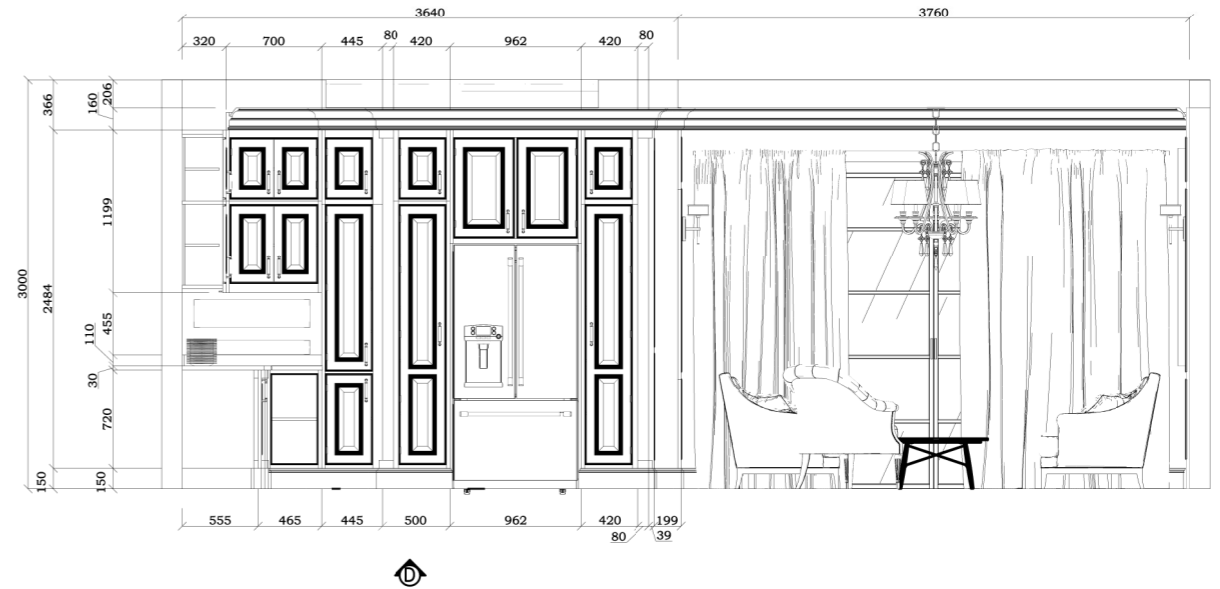
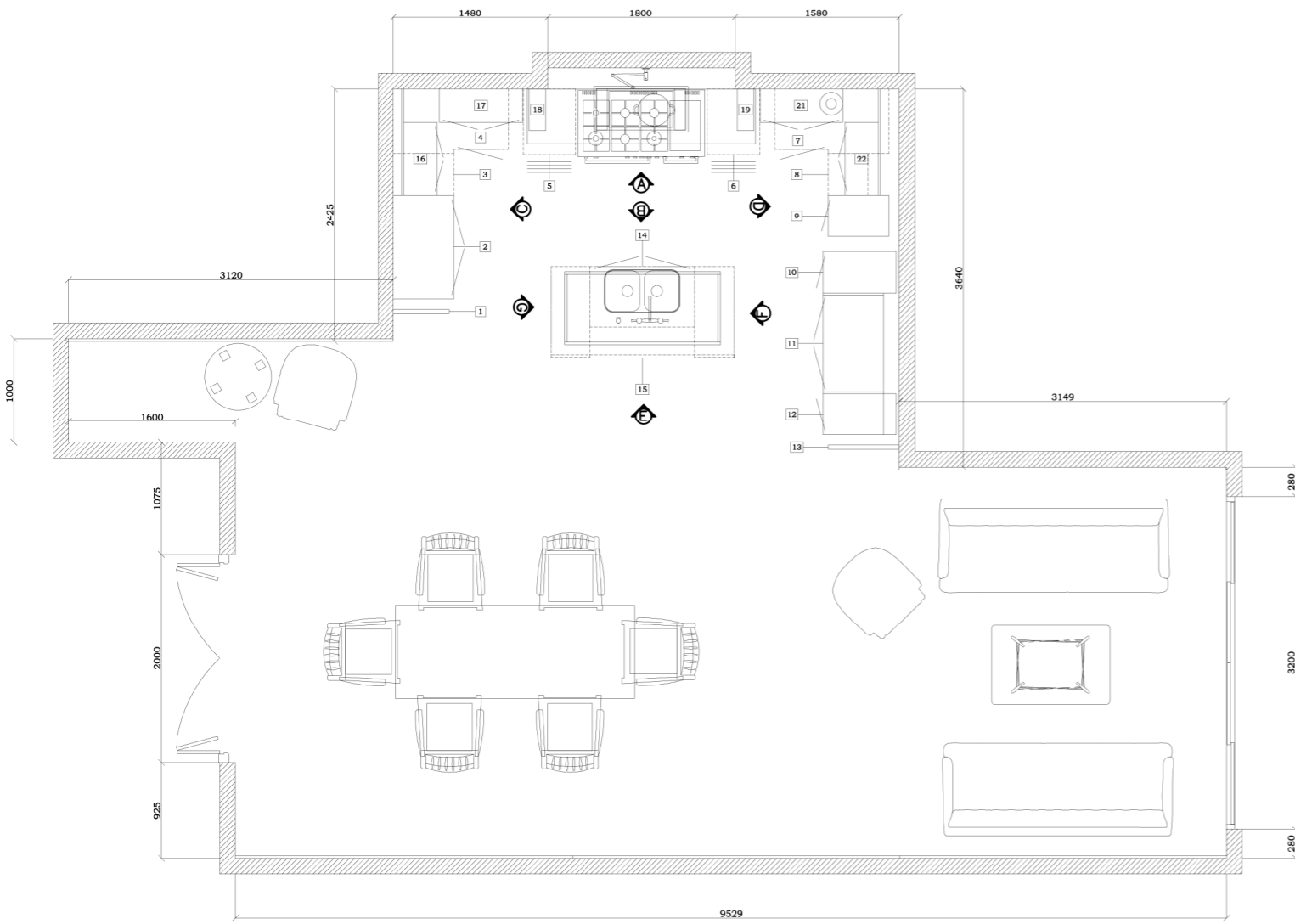
Dekton - Laurent Worktop



Heritage C Shaped Cornice



Cafe CFE28TP3MD1



Cabinet Legend			Width	Depth	Height
Order	Description				
1	Full height side panel for tall cabinet	40	535	2487	
2	Tall cabinet with 2 Lower 2 Upper Butt Doors	1000	580	1965	
3	Base cabinet open shelf	400	580	720	
4	Blind Corner 1 door 500mm, left	1100	620	720	
5	Base 4 drawers	500	630	720	
6	Base 4 drawers	500	630	720	
7	Blind Corner 1 door 500mm, right	1100	620	720	
8	Base cabinet open shelf	400	380	720	
9	Wall cabinet with one door	400	580	514	
10	Tall Cabinet 1 Door	400	700	1965	
11	Wall cabinet with two doors	962	580	800	
12	Tall Cabinet 1 Door	400	700	1965	
13	Full height side panel for tall cabinet	40	680	2485	
14	Sink cabinet 2 doors	1000	580	400	
15	Base 2 doors	1765	30	400	
16	Wall cabinet with two butt doors	700	320	650	
17	Wall cabinet with two doors	800	320	650	
18	Side panel for wall cabinet	160	400	1704	
19	Side panel for wall cabinet	160	400	1704	
21	Wall cabinet with two doors	800	320	650	
22	Wall cabinet with two butt doors	700	320	650	



Client
Microcad Software

Date
24/04/2023

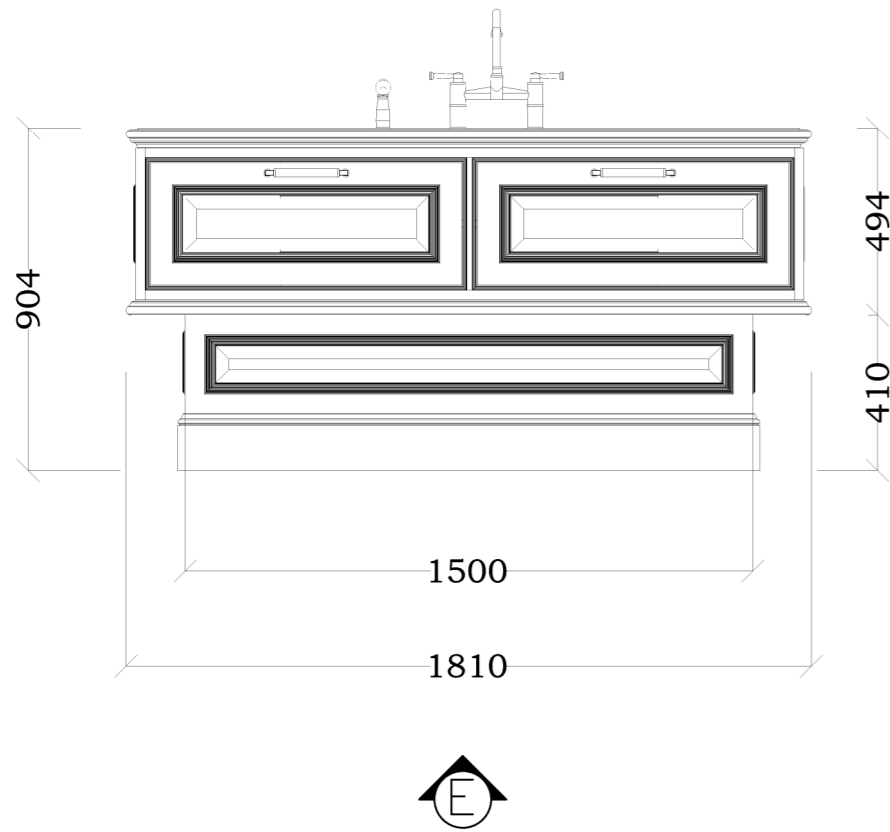
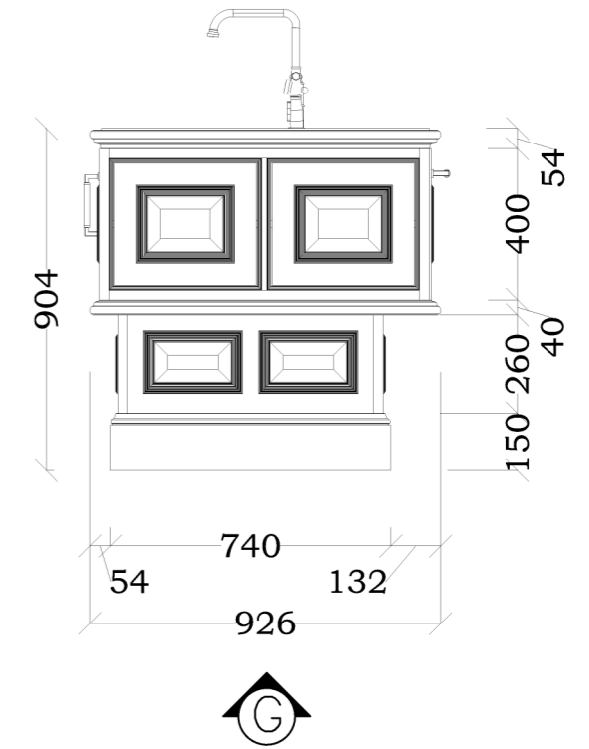
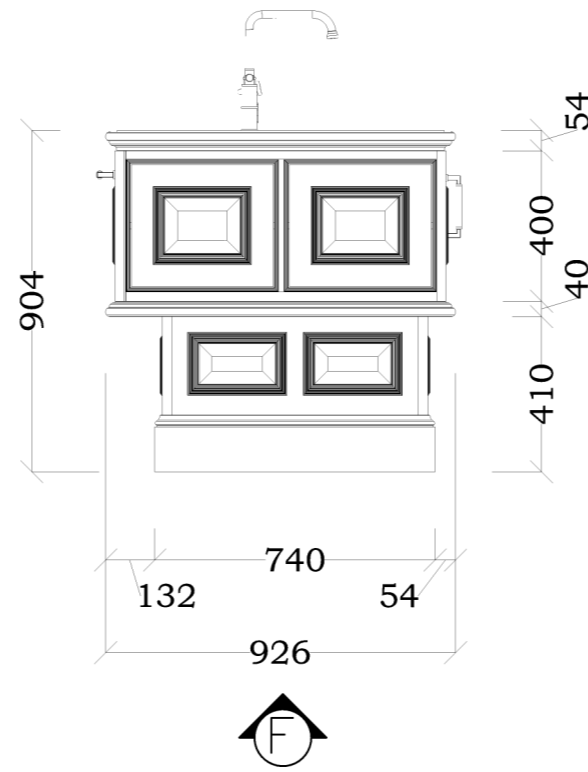
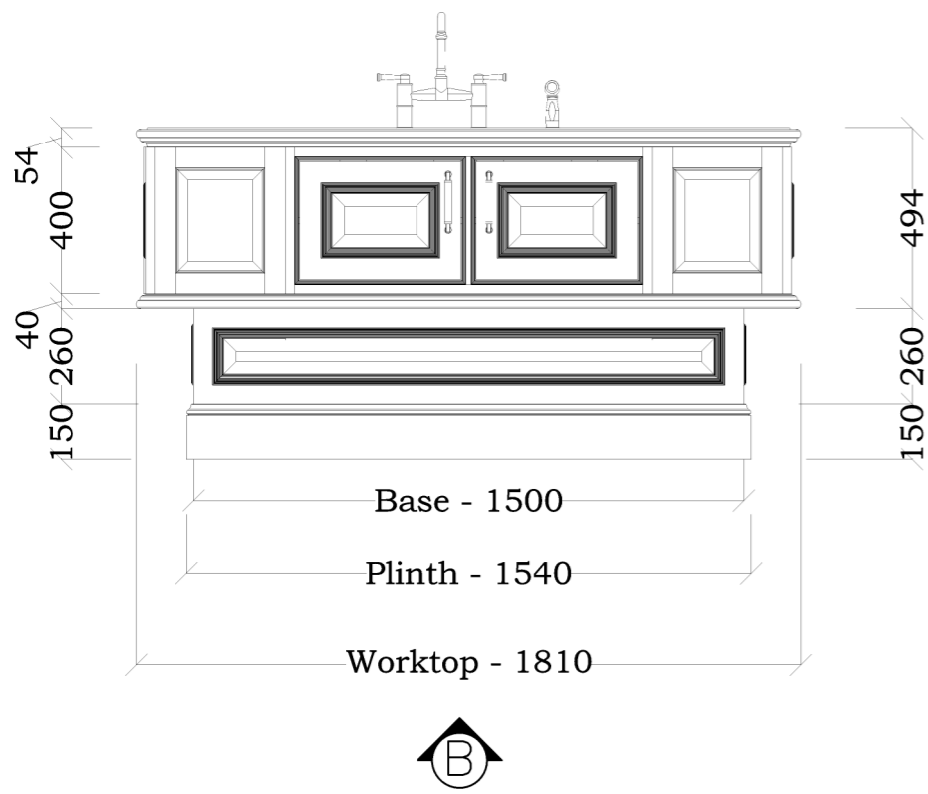
Designer
autokitchen

Plan No.
1234

Range
Beaded In-Frame

Finish
F&B Iconic White

Tops
Dekton Laurent



Client
Microcad Software

Date
24/04/2023

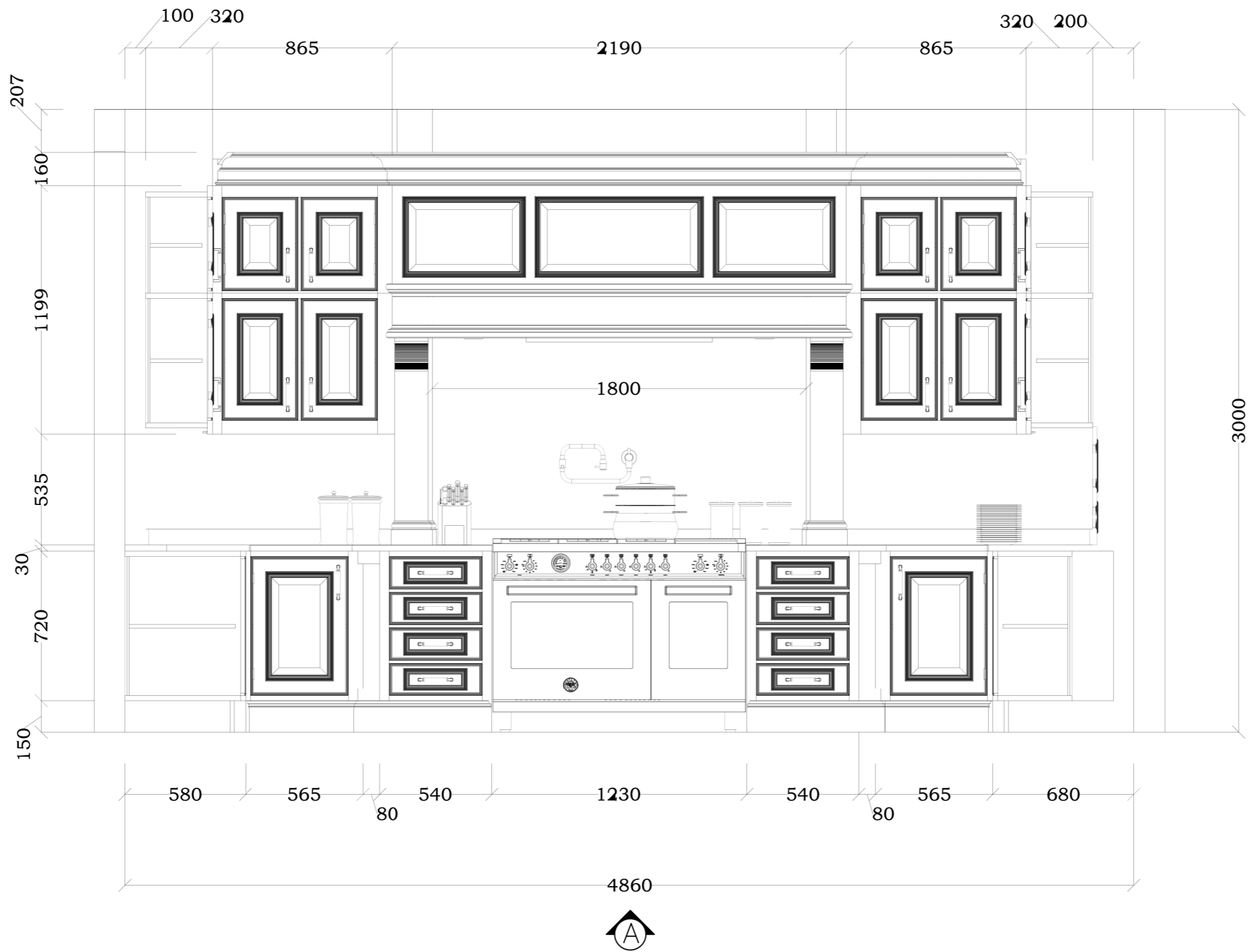
Designer
autokitchen

Plan No.
1234

Range
Beaded In-Frame

Finish
F&B Iconic White

Tops
Dekton Laurent



Client
Microcad Software

Date
24/04/2023

Designer
autokitchen

Plan No.
1234

Range
Beaded In-Frame

Finish
F&B Iconic White

Tops
Dekton Laurent



Client
Microcad Software

Date
24/04/2023

Designer
autokitchen

Plan No.
1234

Range
Beaded In-Frame

Finish
F&B Iconic White

Tops
Dekton Laurent



Client
Microcad Software

Date
24/04/2023

Designer
autokitchen

Plan No.
1234

Range
Beaded In-Frame

Finish
F&B Iconic White

Tops
Dekton Laurent